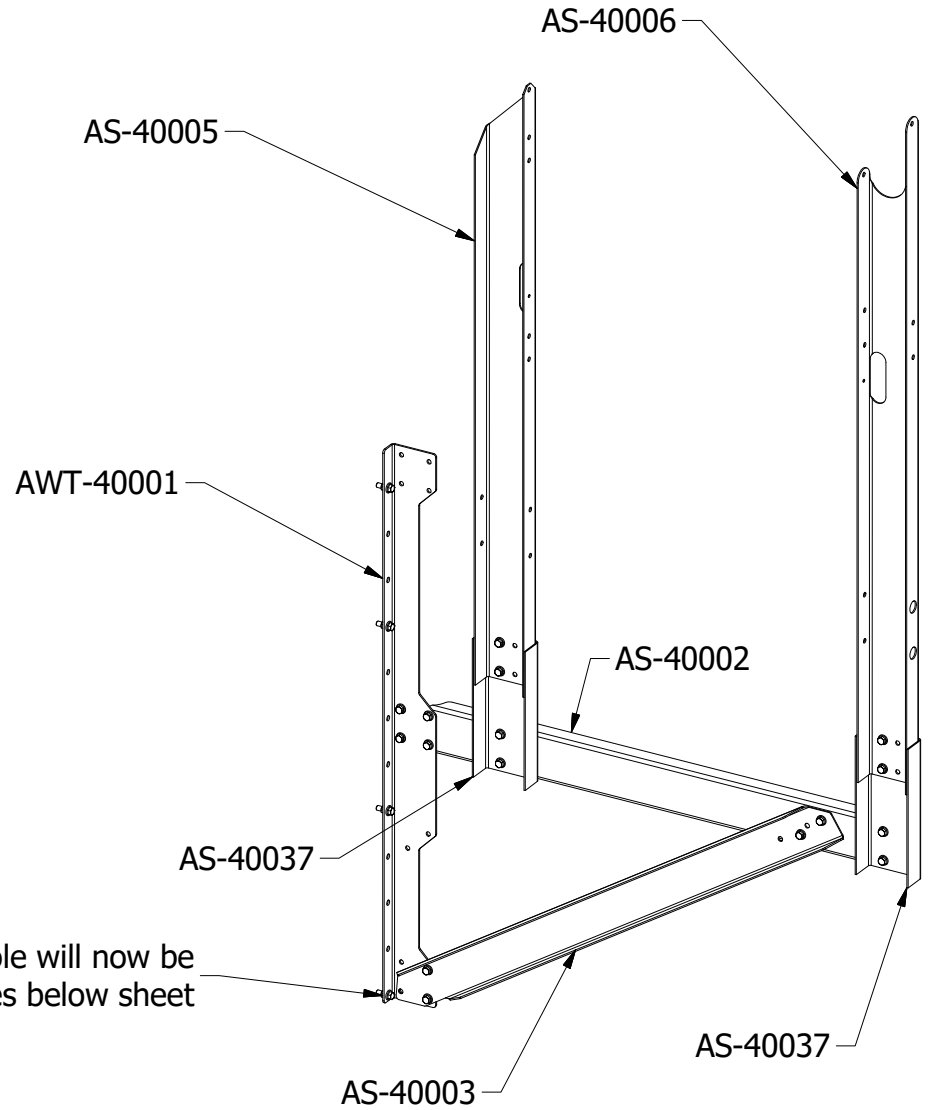
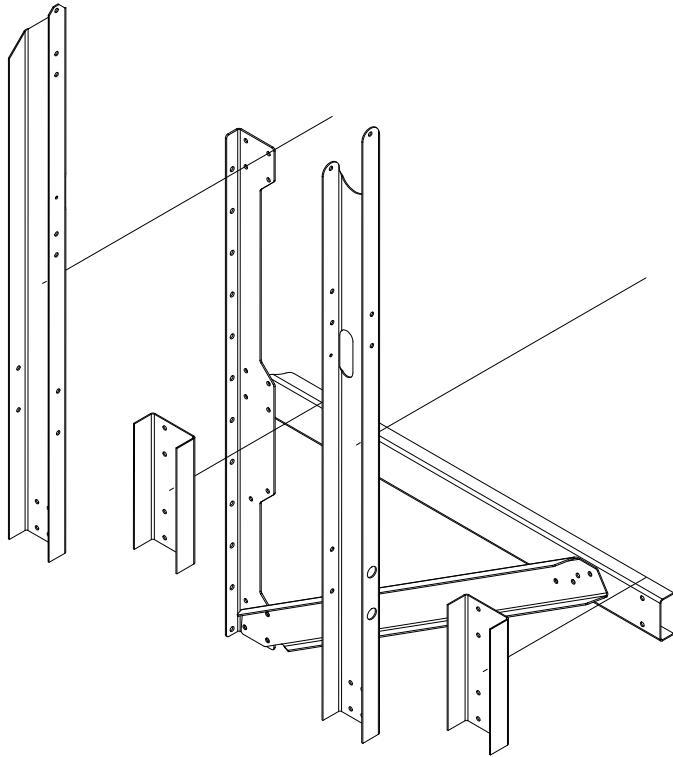


# AWT Wind Ring Kit

- A. On some bins, a wind ring may create an issue where it will interfere with the placement of stair brackets. To alleviate the issue, a Wind Ring Kit is available.
- B. The Wind Ring Kit includes two brackets (AS-40037), and will allow the AWT4400 stair bracket to drop 8 inches (203 mm) in order to clear the wind ring on the bin.
- C. With the Wind Ring Kit attached, the bracket attached to the bin (AWT-40001) will need to have its bottom holes drilled, as the bottom bolt hole will now be 8 inches below the bottom of a sheet, instead of lining up with it.



DRAWN Marcus Wilmsmeyer 4/29/2019	Greene Galvanized Stairs East Lynn, IL 217.375.4244 www.greenebinstairs.com		
CHECKED	TITLE		
QA	AWT Wind Ring Kit Instructions		
MFG	SIZE A	DWG NO. IN-AWTWindRingKit	REV
APPROVED	SCALE 1/15	SHEET 1 OF 1	