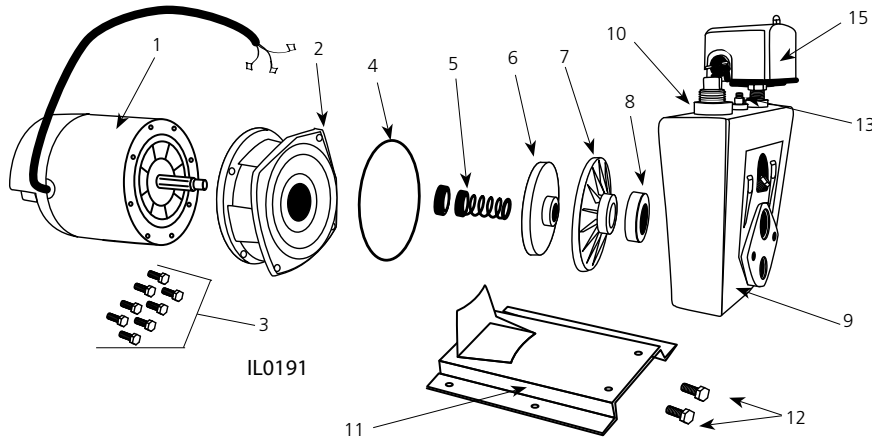
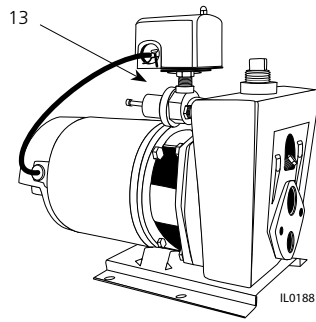


## CONVERTIBLE and SHALLOW WELL JET PUMP REPAIR PARTS "CPJ" and "CPJS" SERIES (For Pricing Refer To Repair Parts Price List)

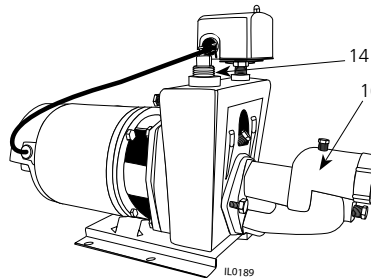


SERVICE KIT FOR JET PUMPS	
MODEL NO	KIT CONTAINS
KF01 <sup>1</sup>	Impeller, Diffuser, Rotary Seal, Quadraseal, Diffuser Rubber
KF02 <sup>2</sup>	
KF03 <sup>3</sup>	
KF16 <sup>4</sup>	
KF04 <sup>5</sup>	Rotary Seal, Quadraseal (2), Diffuser Rubber

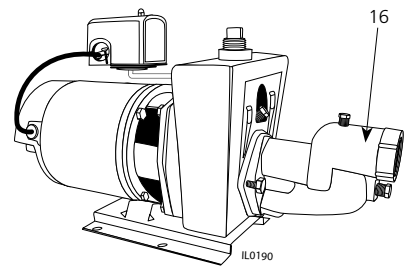
1. Applies to 1/3HP, CPJ Jet Pumps  
2. Applies to 1/2HP, CPJ & CPH Jet Pumps  
3. Applies to 3/4HP, CPJ & CPH Jet Pumps  
4. Applies to 1HP, CPJ & CPH Jet Pumps and VPH10  
5. Applies to all Horizontal Cast Iron Jet Pumps



**"CPJ" Convertible**  
3/4 to 1-1/2 HP



**"CPJS" Shallow Well**  
1/3 to 1/2 HP



**"CPJS" Shallow Well**  
3/4 to 1-1/2 HP

ITEM	HORSEPOWER	PART NO.	1/3	1/2	3/4	1	1-1/2
	MODEL NO.: "CPJ" Convertible "CPJS" Shallow Well		CPJ03	CPJ05 CPJ05B	CPJ07 CPJ07B	CPJ10 CPJ10B	CPJ15
			DESCRIPTION	CPJ03S CPJ03SB	CPJ05S CPJ05SB	CPJ07S CPJ07SB	CPJ10S CPJ10SB
		QTY					
1	Motor, Nema J (Thd) Motor Cover w/Screws Screws, Cover	021301R 021302	98J103 1	98J105 1	98J107 1	98J110 1	98J115 1
†	Motor Lead Wire		136135A	136135A	136135A	136135A	136136A
2	Mounting Ring	*	135314	135314	136137	136137	136137
3	Hex Hd. Cap Screws 3/8 x 3/4"		8	8	8	8	8
4	Ring, Square Cut	131100	132583	132583	132429	132429	132429
5	Seal, Rotary w/Spring		1	1	1	1	1
6	Impeller	132428	139348††	139349††	134137	134138	132417
7	Diffuser		132424	132424	132425‡	132425‡	132464
8	Rubber, Diffuser		1	1	1	1	1
9	Pump Body		132582	132582	132418	132418	132418
10	Plug, Priming	*	3/4" NPT	3/4" NPT	1" NPT	1" NPT	1" NPT
11	Base	132430A	1	1	1	1	1
12	Hex Hd. Cap Screws 3/8 x 1/2"	*	2	2	2	2	2
13	Control Valve "CPJ"		124330	124330	132446	132446	133383
14	Plug w/Gasket "CPJS"		128794	128794	-	-	-
15	Pressure Switch		132527	132527	132527	132527	132527
16	Shallow Well Ejector Package		SW03E-1626	SW05E-1630	SW07E-1432	SW10E-1334	SW15E-1238
†	Ejector Gasket Pkg. w/Bolts	132404	1	1	1	1	1
†	Ejector Gasket	130969	1	1	1	1	1

(\*) Standard Hardware Item  
(†) Not Shown  
(††) Impeller w/ 138138 Seal Ring  
(‡) Diffuser w/ 134240 Insert